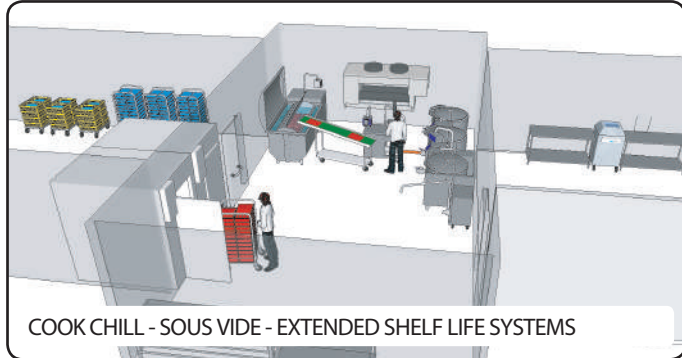


**PUMPFILL STATION**

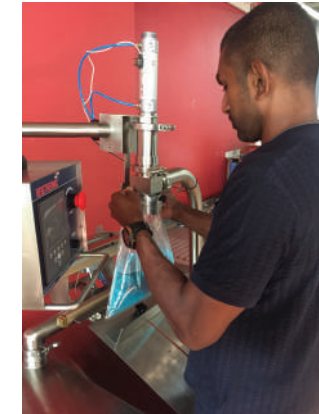
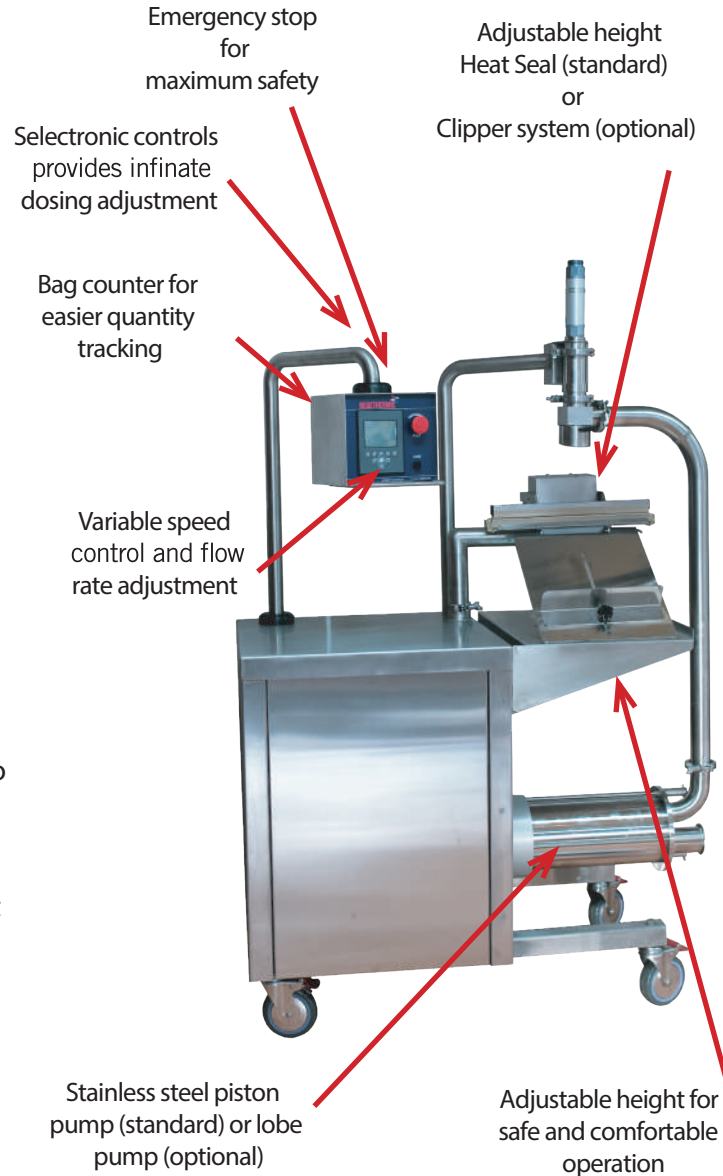


COOK CHILL - SOUS VIDE - EXTENDED SHELF LIFE SYSTEMS

Stainless steel lobe or piston pump for pumping product from kettles to portion control casings, stainless steel and disposable containers. Our DANENG Pumpfill Stations are capable of dosing 300 litres of product within 15 minutes at temperatures ranging from 3°C to 90°C

Heat Seal is a hand operated tear away double heat seal that keeps food safe and clean. The safety pulse heat sealer has been designed with a large gap between the support arms and a two stage pneumatic circuit. The operating speed/pressure at which the heat seal surfaces come together is adjustable to avoid risk to the operator and maximise bonding of both layers. The heat seal system is ideal water bath or tumble chilling

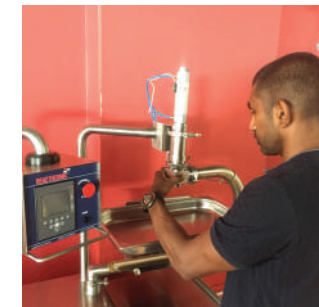
Clipper Seal is an alternative option to the heat seal. The clipper system automatically clips and seals the casings. The clip system can be used in all water chilling systems. The resulting seal is airtight and does not compromise product safety



Pump into bags



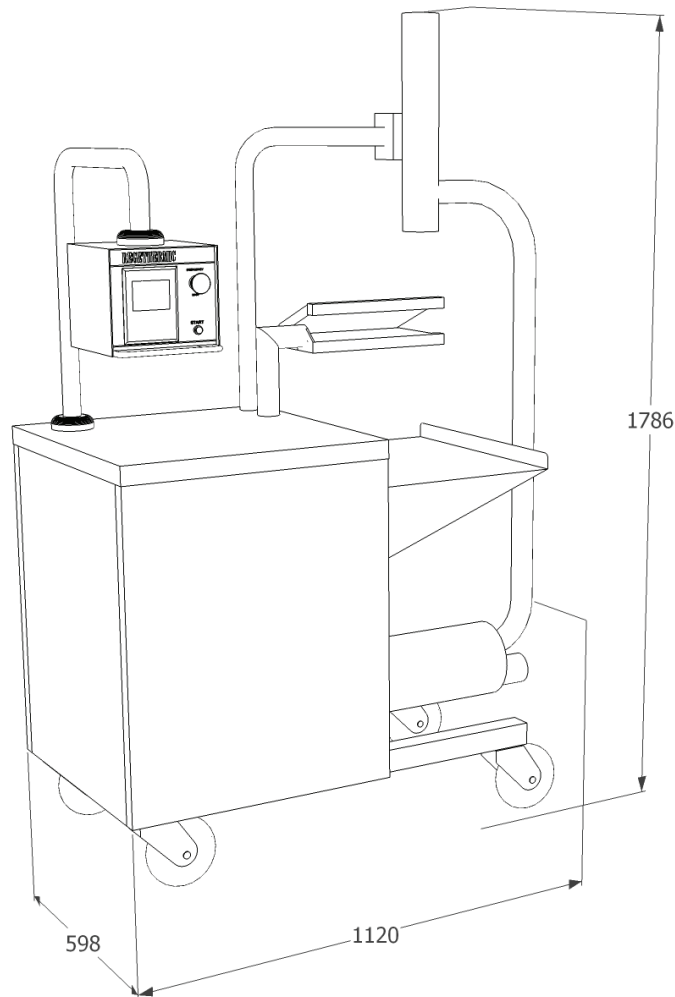
Pump into bottles



Pump into trays

**PUMPFILL STATION**

DANENG Energy Saving  
Kitchen Equipment Specialist  
3 Kaki Bukit Industrial Terrace,  
Singapore 416091  
Sales : +65 6747 0435  
Email : sales@daneng.com.sg



**NEW FEATURES**

- 7 inch IP65 colour touch screen
- Ability to integrate with a scale to weigh into trays
- Specific program to fill into trays
- Adjustment for tray depth

**OPTIONS & ACCESSORIES**

- Insulated bag nozzle
- Extended nozzle for filling into buckets
- Lobe pump
- Clipper seal system
- Combination Heat seal & Clipper seal system
- Bottle filling adaptor

**Specifications (compressed air model)**

External dimensions (w x d x h) mm	1120 x 598 x 1786
Power requirements	240V Single phase 10 amp
Manufacturing material	304 Grade Stainless Steel
Compressed air (not supplied)	375 litre/min @ 6Bar min

NOTE: Dry air recommended for best performance of pneumatic components

**Specifications (electric only model)**

External dimensions (w x d x h) mm	1120 x 598 x 1786
Power requirements	415V 3~N 4.5kW 10 amp
Manufacturing material	304 Grade Stainless Steel