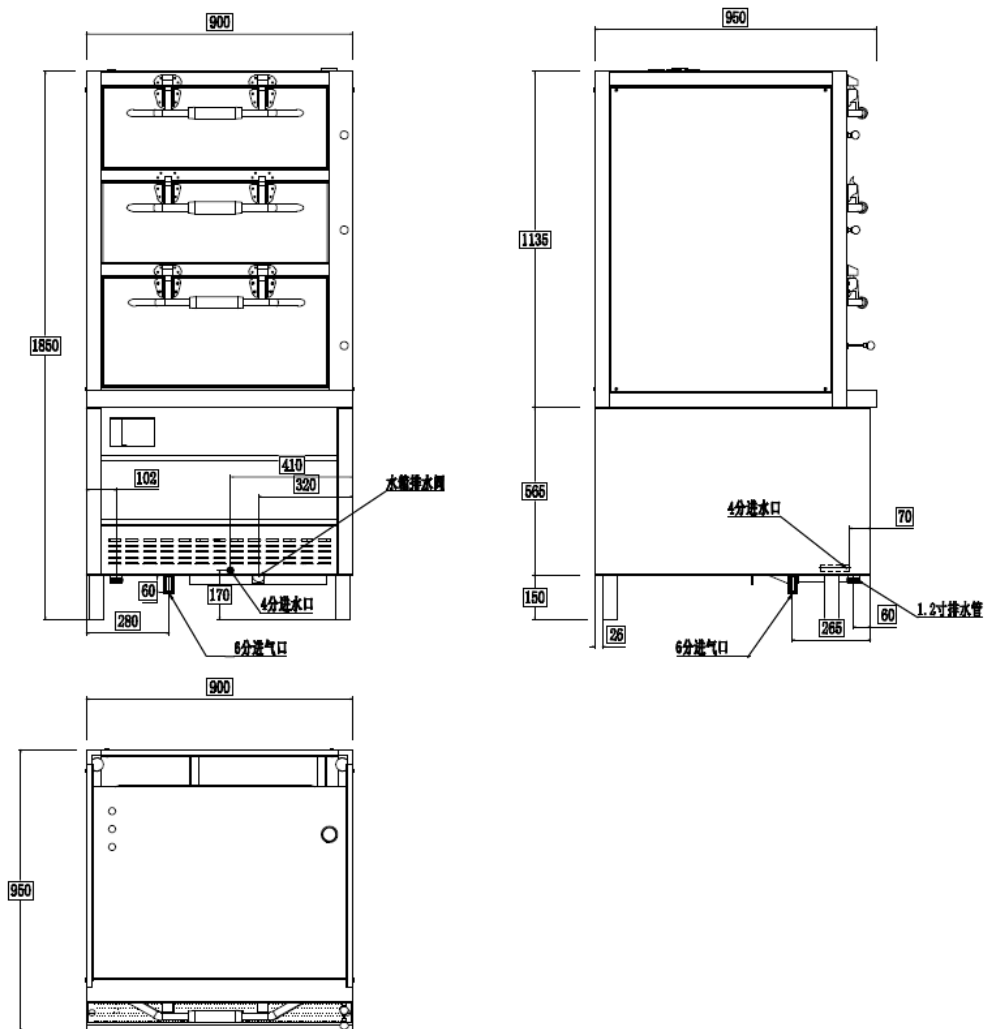




### Product Features:

- Gas energy saving up to 50%
- User Friendly
- Noise reduction
- Heat Accumulate
- Safe and easier
- Flameout protection

### Seafood Steamer Drawing



### DANENG ENERGY-SAVING TECHNOLOGY PTE LTD

Sales Hotline : +65 6747 0435

Service Hotline : +65 6846 1160

Email : sales@daneng.com.sg

Address : 3 Kaki Bukit Industrial Terrace, Singapore 416091

Facebook : www.facebook.com/DaNengKitchenEquipment

Facebook



WeChat

